

**20 Watt Input    1200lms    Dimmable    110V AC    UL**

**Replaces 100W + Reflector Flood/Spot Bulbs**

# **MAL-DF16** **LED Dimmable Downlight Module**

This LED Product may qualify for a REBATE from your Energy provider!

Installs easily in 8" IC Existing Recessed Cans or 6" New Construction



### **Creates Less Heat Than Conventional Bulbs**

90% energy saving compared to incandescent lamps and 60% energy saving compared to fluorescent energy-saving lamps.

Dimming capability

Green product: lead-free / no-mercury

Long Lifetime over 50,000 hours

Standard E26 and GU24 interface

110V to 220V AC Input

Aluminum Alloy Housing

UL

White Trim Ring

3 year Warranty

**MAL-DF16E26SW** E26 Base- Soft White

**MAL-DF16E26DL** E26 Base- Day Light

**MAL-DF16GU24SW** GU24 Base - Soft White

**MAL-DF16GU24DL** GU24 Base - Day Light

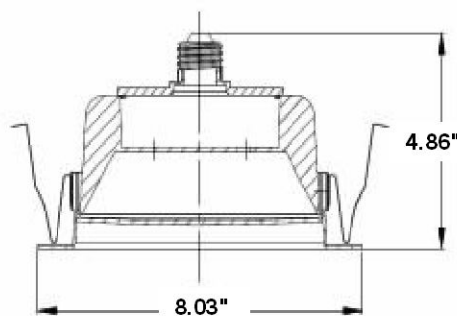


Connection types:  
Medium Base (E26), and  
GU24 Base w/ direct wiring capability.

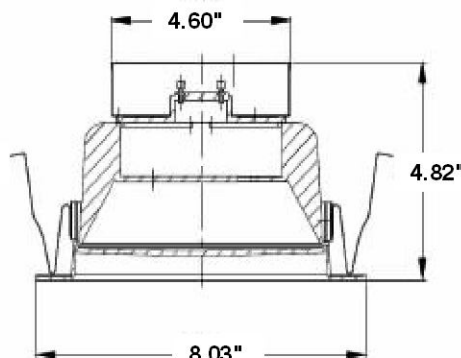


### Specifications:

MAL-DF16    UL  
Voltage    110V AC 60Hz  
Input Power    20 Watts  
Luminous Flux    ≥ 1200lm  
Dimmable    Yes  
Color Temp    2700k Soft White  
                  4100k Day Light  
CRI    ≥ 80  
INPUT Interface  
Connections    E26 Base,  
                  GU24 base with  
                  Direct Wire leads



6" LED Downlight E26 Base



6" LED Downlight GU24 Base

**USA & CANADA**  
**1-800-445-6611**  
**FAX 1-800-445-6690**



**PHOENIX, AZ**  
**Phone: 602-268-0001**  
**Fax: 602-268-0130**

[www.MillerLightingProducts.com](http://www.MillerLightingProducts.com)

[Customerservice@millerlightingproducts.com](mailto:Customerservice@millerlightingproducts.com)