

12.5 Watt Input 800lms Dimmable 110V AC UL

Replaces 65W + Reflector Flood/Spot Bulbs

MAL-DC10 LED Dimmable Downlight Module

**Installs easily in 6" IC Existing Recessed Cans
or 4" New Construction**

**This LED Product
may qualify for a
REBATE from your
Energy provider!**



Creates Less Heat Than Conventional Bulbs

90% energy saving compared to incandescent lamps and
60% energy saving compared to fluorescent energy-saving lamps.

Dimming capability

Green product: lead-free / no-mercury

Long Lifetime over 50,000 hours

Standard E26 and GU24 interface

110V to 220V AC Input

Aluminum Alloy Housing

UL

White Trim Ring

3 year Warranty

MAL-DC10E26SW E26 Base- Soft White

MAL-DC10E26DL E26 Base- Day Light

MAL-DC10GU24SW GU24 Base - Soft White

MAL-DC10GU24DL GU24 Base - Day Light

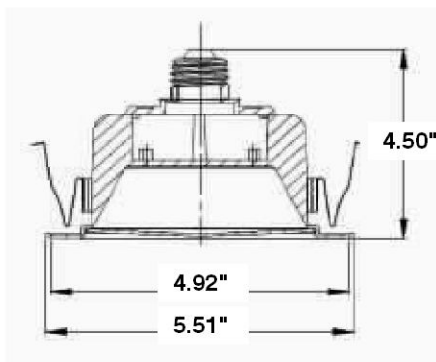


**Connection types:
Medium Base (E26), and
GU24 Base w/ direct wiring capability.**

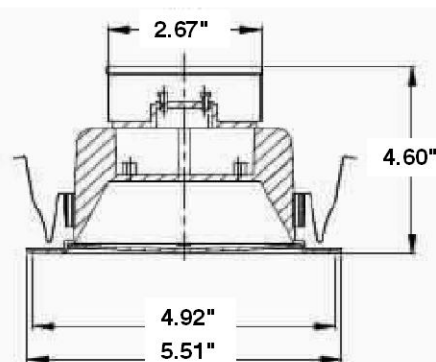


Specifications:

MAL-DC10	UL
Voltage	110V AC 60Hz
Input Power	12.5 Watts
Luminous Flux	≥ 800lm
Dimmable	Yes
Color Temp	2700k Soft White 4100k Day Light
CRI	≥ 80
INPUT Interface	
Connections	E26 Base, GU24 base Direct Wire leads



4" LED Downlight E26 Base



4" LED Downlight GU24 Base

USA & CANADA

1-800-445-6611

FAX 1-800-445-6690



PHOENIX, AZ

Phone: 602-268-0001

Fax: 602-268-0130

www.MillerLightingProducts.com

Customerservice@millerlightingproducts.com