

□ Flood Fixtures

Features:

- Die cast aluminum housing with powder finish for corrosion-resistance.
- Anodized aluminum reflector and clear tempered glass lens are designed to optimize light distribution.
- Gas-tight silicon rubber seal made for wet locations.

Lamp and ballast:

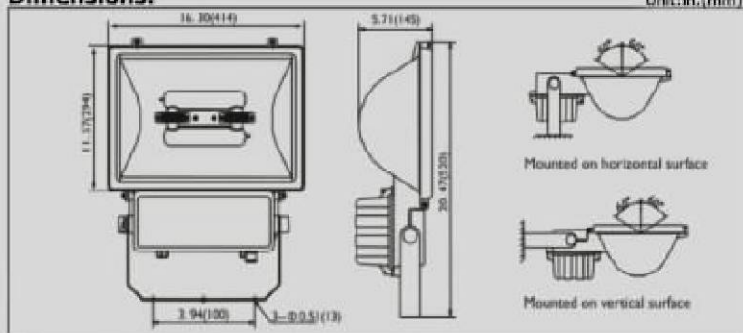
- Miller's 70W~100W square tubular induction lamp features high lighting efficacy, long lifetime, good color rendering, stable output, etc.
- Miller's electronic ballast features high power factor (>0.95), flickering free, low loss, constant output, etc.

Applications:

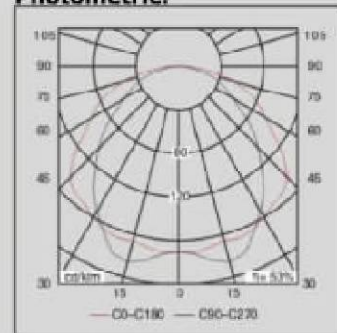
- Billboards, buildings, parks, pools, parking lots, plazas, tennis courts.



Dimensions:



Photometric:



Fixture Specifications:

Product No.	Fixture Model No.	Lamp	Wattage (W)	Voltage (V)	Color Temperature (K)	Ambient Temperature (°C)	Installation	IP class	Note	UL CUL
FFL70	FFL70-FLOOD		70	120~277	5000	-20°C~+40°C	Bracket	IP65	Upward	√
FFL85	FFL85-FLOOD		85							
FFL100	FFL100-FLOOD		100							
FFL150	FFL150-FLOOD		150							

※ Note:Color Temperature 2720-6500 available upon request.
Fixture for downward usage available upon request.